

## Description:

Vibracoustics Ltd VPD Mountings are robust shock and vibration isolators available in three physical sizes/types: VP5D, VP7D and VP8 1/4D. Each size is produced in several rubber compounds with working deflections of up to 16mm offering a range of load capacities from 300kg to 3500kg.

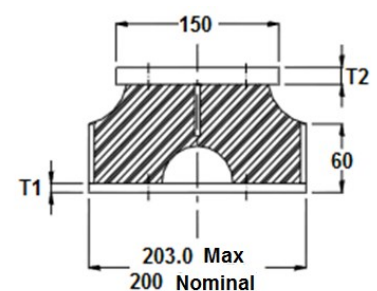
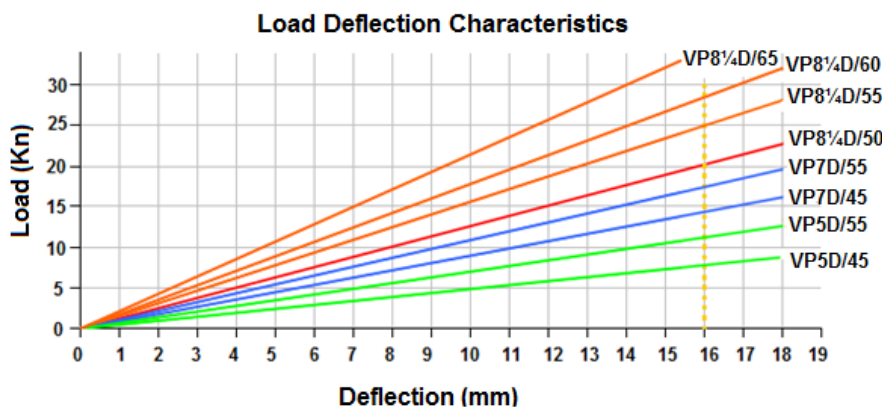
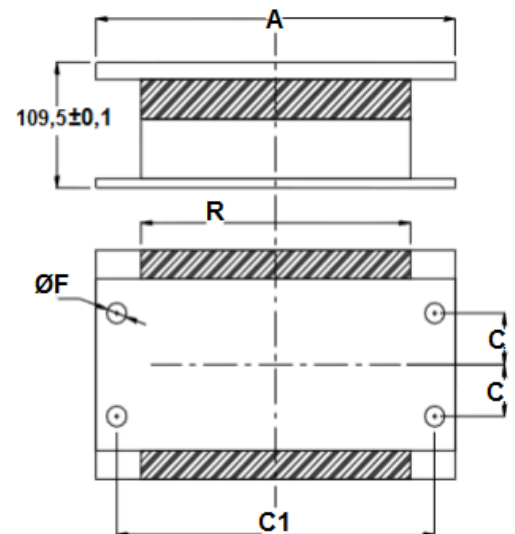
The unique VPD construction provides two differing horizontal stiffness values and excellent acoustic attenuation, the combined properties providing optimum vibration isolation performance.

The robust and adaptable nature of the mounts make them suitable for many types of stationary industrial equipment, particularly generating sets, compressors, pumps and fans. VPD Mountings are also used extensively in the quarry, construction and material processing industries for large vibrating machinery, screens etc.

Separately available external buffer units make VPD mounts ideal for many mobile and marine applications including main engines, auxiliary generators, pumps, compressors, pipe work and large fan suspensions for offshore rigs and cruise, merchant and naval vessels.

All rubber surfaces are painted with oil resistant paint.

Standard six hole drillings and special versions are also available.



Part No.	Mounting Size/Type	Dimensions (mm)									Nominal Load Range (Kg)
		C Top Plate	C Bottom Plate	R	A	C1	F Top Plate	F Bottom Plate	T1	T2	
VS7020	P5D	35	35	127	210	162	18	18	8	15	300-1100
VS7004	P7D	35	35	183	267	229	18	18	8	15	575-1775
VS7003	P8 1/4D	45	45	216	330	292	18	18	8	15	730-3500

