

Description:

Vibracoustics Ltd fully bonded Plate Mountings are produced in natural rubber.

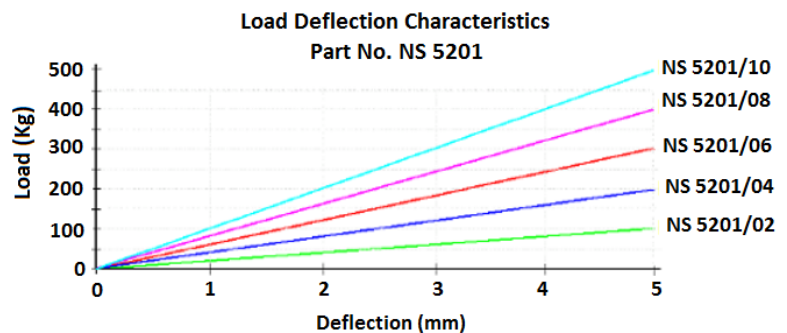
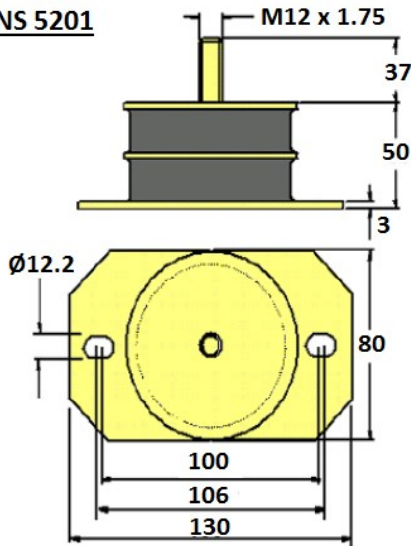
The low profile mountings have two plain fixing holes in the base and a single M12 threaded stud on the top. The mountings offer high load capacity for their physical size providing excellent isolation in a compact design.

VS4005 is produced with and without metal interleaves.

NS 5201 is available in five mixes.



NS 5201



VS4005

