

## Description:

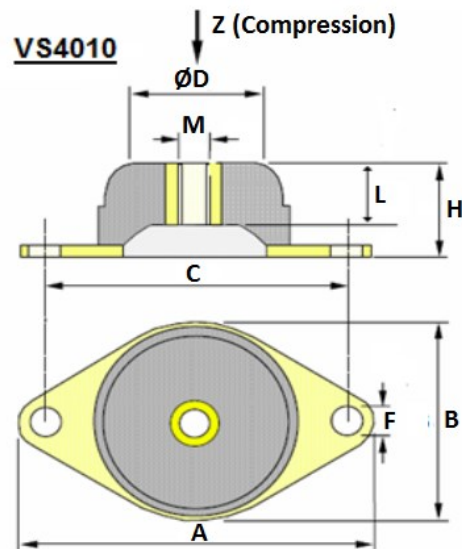
Vibracoustics Ltd fully bonded Plate Mountings are produced in natural rubber.

The low profile mountings have two plain fixing holes in the base and a single M10 threaded hole in the top and provide excellent isolation in a compact design.



## Typical Applications Include:

- Fan sets.
- Engine radiators.
- Compressors.
- Instrument panels.
- Small electric motors.
- Gearbox drives.
- Pumps.
- Control boxes.
- Small petrol / diesel engines.



Part No.	Dimensions (mm)								Max Load (Kg)		Max Deflection (mm)
	D	B	C	A	H	L	F	M	N35	N50	
VS4010	25	48	60	76	22	16	8.2	M10	35	70	3

## VS4004

