

## Description:

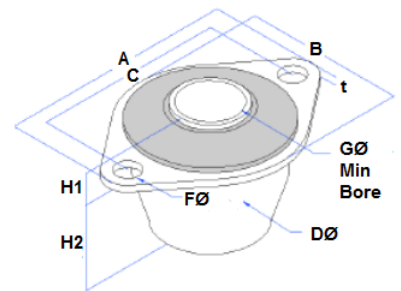
Vibracoustics Ltd Vi-Cone Mountings are conical in form, fully bonded and produced in a wide range of sizes. Loads are applied to the rubber section in a combination of shear and compression which ensures maximum service life of both the polymer and the polymer to metal bond.

Compact and robust designs with high load capacities make these mountings suitable for use in many varied mobile and static applications. Vi-Cone mountings provide excellent isolation of vertical vibration whilst being able to withstand frequent horizontal shock loadings.

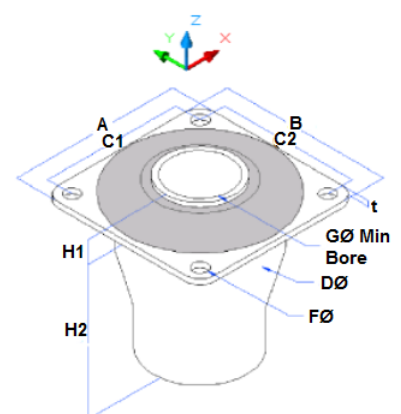
The mountings are made captive and therefore fail-safe in an application by the addition of top and bottom washers. More information on creating this fail-safe option can be found on data sheet 47-A-05. Vi-Cone mountings are produced in several shore hardnesses as listed below, others are available to order.



| Part No. | Dimensions (mm) |      |              |       |       |      |      |    |     |      | Load Direction Z |              |                |                    |
|----------|-----------------|------|--------------|-------|-------|------|------|----|-----|------|------------------|--------------|----------------|--------------------|
|          | A               | B    | C1           | C2    | D     | F    | G    | H1 | H2  | t    | Shore Hardness   | Max Load (N) | Max Defl. (mm) | Spring Rate (N/mm) |
| VS4701   | 89              | 54   | 73           |       | 49    | 8.7  | 10.5 | 10 | 20  | 2    | N45              | 550          | 3.5            | 160                |
|          |                 |      |              |       |       |      |      |    |     |      | N60              | 900          | 3.5            | 260                |
| VS4702   | 102             | 70   | 82.5         |       | 56    | 11   | 12.7 | 12 | 42  | 3    | N45              | 2300         | 5              | 460                |
|          |                 |      |              |       |       |      |      |    |     |      | N60              | 4200         | 5              | 720                |
|          |                 |      |              |       |       |      |      |    |     |      | N70              | 5200         | 4              | 1190               |
| VS4703   | 106             | 68   | 78-84        |       | 60    | 11   | 12.2 | 18 | 34  | 2.5  | N45              | 735          | 4              | 180                |
|          |                 |      |              |       |       |      |      |    |     |      | N60              | 1370         | 4              | 340                |
|          |                 |      |              |       |       |      |      |    |     |      | N70              | 2060         | 4              | 515                |
| VS4704   | 106             | 68   | 78-84        |       | 60    | 11   | 12.2 | 18 | 34  | 2.5  | N45              | 980          | 4              | 245                |
|          |                 |      |              |       |       |      |      |    |     |      | N60              | 1765         | 4              | 440                |
|          |                 |      |              |       |       |      |      |    |     |      | N70              | 2650         | 4              | 660                |
| VS4705   | 105             | 92   | 82.7         | 69.4  | 75    | 10.3 | 16.3 | 18 | 41  | 3.6  | N60              | 2940         | 6              | 490                |
|          |                 |      | N70          | 4220  |       |      |      |    |     |      | 5.5              | 770          |                |                    |
| VS4706   | 120             | 115  | 95           | 90    | 104   | 11   | 28   | 21 | 30  | 3    | N60              | 5000         | 10.5           | 430                |
| VS4707   | 105             | 91.5 | 82.7         | 69.4  | 76    | 10.3 | 16.2 | 26 | 40  | 4    | N35              | 2100         | 8              | 210                |
|          |                 |      |              |       |       |      |      |    |     |      | N50              | 3300         | 8              | 340                |
|          |                 |      |              |       |       |      |      |    |     |      | N65              | 6100         | 8              | 600                |
| VS4708   | 102             | 76   | 82           |       | 58    | 11   | 13   | 27 | 37  | 2.5  | N60              | 5500         | 7              | 620                |
| VS4709   | 105             | 91.5 | 82.7         | 69.4  | 76    | 10.3 | 16.2 | 26 | 40  | 4    | N45              | 3400         | 8              | 400                |
|          |                 |      |              |       |       |      |      |    |     |      | N50              | 4200         | 8              | 475                |
|          |                 |      |              |       |       |      |      |    |     |      | N60              | 6200         | 8              | 670                |
|          |                 |      |              |       |       |      |      |    |     |      | N70              | 9500         | 8              | 1070               |
| VS4710   | 140             | 121  | 97-111       | 92-99 | 115   | 11.5 | 20.5 | 21 | 65  | 5    | N45              | 8830         | 6              | 1470               |
|          |                 |      | N60          | 12260 |       |      |      |    |     |      | 6                | 2040         |                |                    |
|          |                 |      | N70          | 15200 |       |      |      |    |     |      | 6                | 2530         |                |                    |
| VS4711   | 133 Diameter    |      | 3 on 106 PCD |       | 75    | 13   | 20.2 | 16 | 64  | 4    | N45              | 3300         | 5.5            | 600                |
|          |                 |      |              |       |       |      |      |    |     |      | N50              | 6500         | 5.5            | 1180               |
|          |                 |      |              |       |       |      |      |    |     |      | N60              | 8500         | 5.5            | 1550               |
|          |                 |      |              |       |       |      |      |    |     |      | N70              | 10000        | 5.5            | 1820               |
| VS4712   | 105             | 92   | 82.7         | 69.4  | 75    | 10.3 | 16.3 | 33 | 41  | 7    | N45              | 2940         | 7              | 420                |
|          |                 |      | N60          | 4980  |       |      |      |    |     |      | 6                | 830          |                |                    |
| VS4713   | 122             | 122  | 100          | 100   | 95    | 11   | 24.1 | 17 | 111 | 4    | N45              | 10000        | 7              | 1420               |
|          |                 |      | N60          | 20000 |       |      |      |    |     |      | 7                | 2850         |                |                    |
|          |                 |      | N70          | 30000 |       |      |      |    |     |      | 7                | 4000         |                |                    |
| VS4714   | 156             | 109  | 127          |       | 93    | 12   | 20   | 34 | 46  | 10   | N45              | 3190         | 5.8            | 550                |
|          |                 |      |              |       |       |      |      |    |     |      | N60              | 5880         | 5.8            | 1015               |
| VS4715   | 174             | 150  | 144          | 100   | 123.5 | 11   | 25   | 46 | 54  | 12.5 | N45              | 7060         | 12.4           | 570                |
|          |                 |      | N60          | 12260 |       |      |      |    |     |      | 11               | 1115         |                |                    |



Typical 2 Hole Fixing Vi-Cone Mounting



Typical 4 Hole Fixing Vi-Cone Mounting