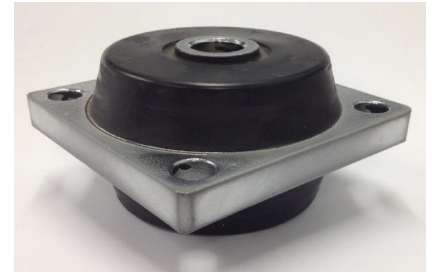


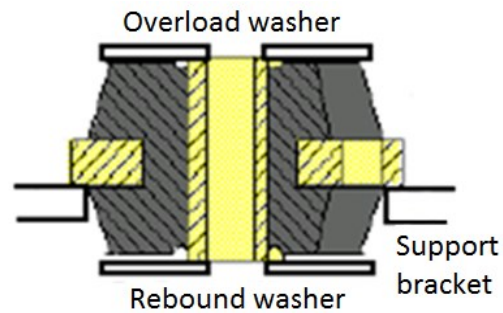
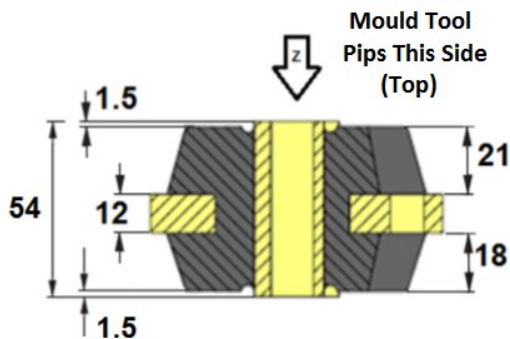
**Description:**

Vibracoustics Ltd Compression Mounting VS7002 is available in three shore hardnesses. The mounts are of a simple robust construction and together with top and bottom snubbing washers provide a fully captive installation. Produced in a damped rubber compound, the assembly provides excellent vibration isolation in combination with shock displacement control.

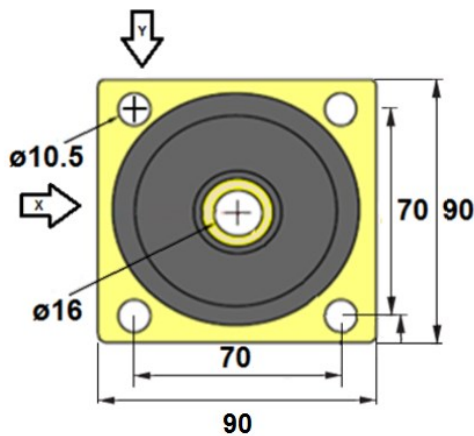


**Typical Applications Include:**

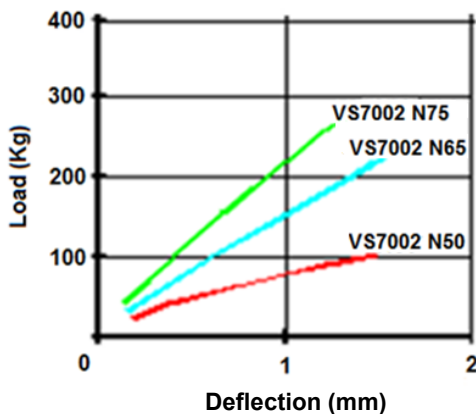
- Mobile equipment shock-protection.
- Commercial vehicle body to chassis mount.
- Diesel engine pumps and compressors.
- Off road applications.
- Gearbox mounts.
- Transformer mounts.
- P.T.O unit mounts.



Typical captive assembly using additional overload and rebound washer WASH974216, two washers size 75mmØ by 4.5mm thick.



Shear - Load Deflection Characteristics in the X & Y Directions



Compression - Load Deflection Characteristics in the Z Direction

