

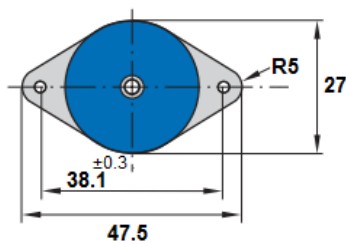
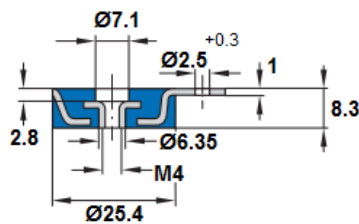
Description:

Vibracoustics Ltd Instrument Mountings are recommended for vibration isolation of electronic systems, measuring instruments and precision mechanical apparatus. These mountings are used to keep any vibrations or impact loads away from an apparatus or measuring instrument. Sensitive instruments used in mobile equipment can thus be mounted successfully by using the proper Instrument mounting.

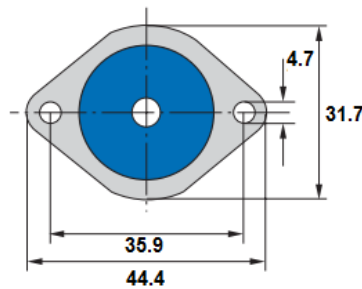
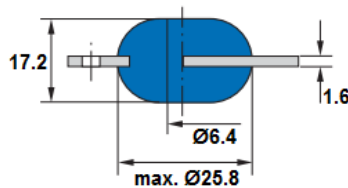
Another application would be the sound isolation of small electric motors or pumps, which must be mounted on flat sheet metal, which acts a resonance body.

The Instrument mountings are designed to take compression, tension and shear loads safely.

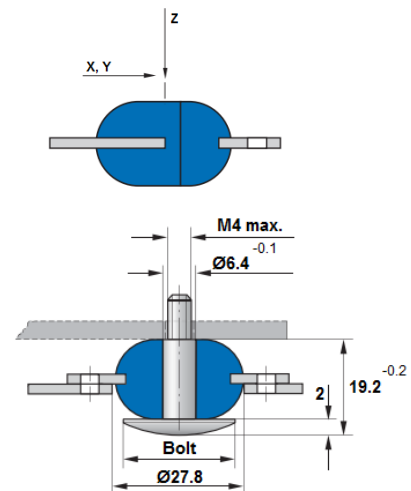
The Instrument mounting VS44022 is used almost exclusively for sound isolation of instruments hanging from the Instrument mounting, whereas the Instrument mounting VS44023 can be used universally due to its relative spring rate in all three planes. Fail safe characteristics can be achieved (suggestion for mounting example) by appropriate design. The slight compression of the rubber, together with chosen shape and the design of the deflection limiter results in a progressive stiffness and a prevention of excessive loads on impact.



VS44022



VS44023



Suggestion for Mounting VS44023 with Centring Bolt

Part No.	Shore Hardness	Load Direction Z			X or Y Direction
		Max Load (N)	Max Defl. (mm)	Spring Rate (N/mm)	Spring Rate (N/mm)
VS44022	N40	120	0.5	240	200
VS44023	N40	80	2	40	20
VS44023	N50	130	2	65	40
VS44023	N60	260	2	130	70

