

Description:

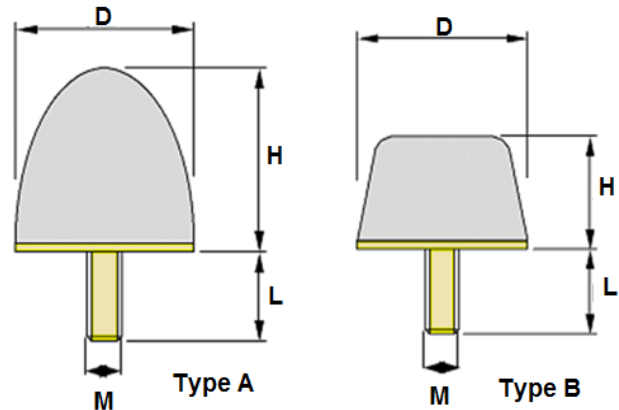
Vibracoustics Ltd Conical Buffers are used to reduce impact forces to structures and machinery. The shaped rubber profile provides a progressive force characteristic with applied shock deflection. These buffers can also be used as mountings for free standing machine feet, offering good levels of vibration isolation.

Most of the items listed are available from stock. Other similar components in natural rubber and special compounds are available on request. Stainless steel metals also available.

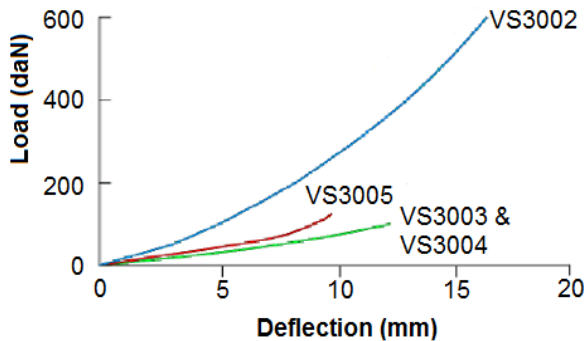


Typical Applications Include:

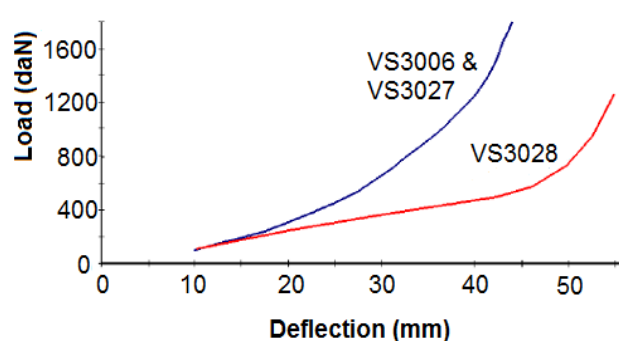
- Movement limiters.
- Bump stops.
- Shock impact protection.
- Vehicle suspensions.
- Off road vehicles.
- Handling equipment.



Load Deflection Characteristics



Load Deflection Characteristics



Part No.	Type	Dimensions (mm)				Continuous Load (daN)
		D	H	L	M	
VS33001	B	50	21	27.5	M10	86
VS33002	B	26	18	22	M6	27
VS33003	B	125	78	46	M16	490
VS3002	A	50	50	25	M10	100
VS3003	A	35	40	14	M8	50
VS3004	A	35	40	18	M8	50
VS3005	A	32	29	18	M8	25
VS3006	A	100	95	30	M12	400
VS3027	A	100	95	*	M12	400
VS3028	A	100	120	30	M12	400

Parts marked with * have a female fixing.

